

LED Street Light **SKSTF-22 80W**



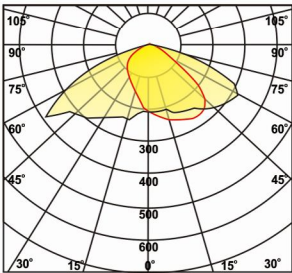
Product Specification

Type	: SKSTF-22 80W
Module LED	: SAKA LM G1 C 2X8 (LUMILEDS 5050)
Driver	: Moso
Voltage	: 220 - 240 V
Life Time	: 50.000 hours
SPD	: 10 kV
Housing	: Die-Cast Aluminium With Tempered Glass
Weight	: 7320 gram

Accessories

Lens : LEDIL VIMIN-2x2-T2

Light Distribution Curve



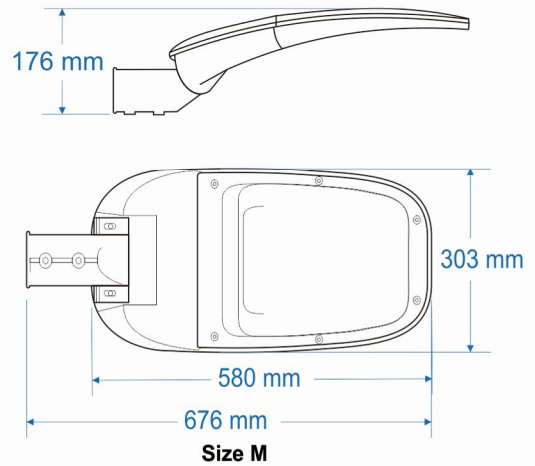
Benefit:

- Flexible system design
- Easy factory assembly and reliable lifetime performance
- Low cost of thermal management

Equipment

Modul	Size	Watt	lm	lm/W	CRI	CCT
SAKA LM G1 C 2 X 8	M	80	12.033	150,33	70	2700 / 3.000 / 4.000 / 5.000 / 6.500 K

Dimension (mm)



Beam Angle

