

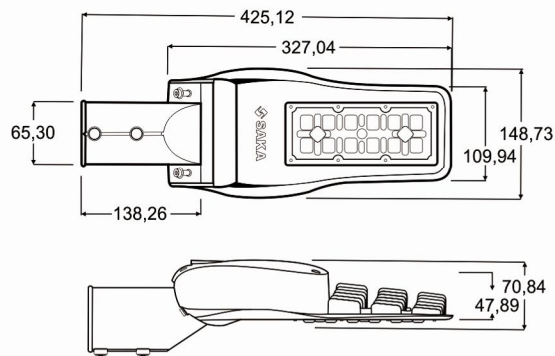
LED Street Light **SKSTF-16 40W**



Product Specification

Type	: SKSTF-16 40W
Module LED	: SAKA LM G1 NC 2X6 (LUMILEDS 5050)
Driver	: Moso
Voltage	: 220 - 240 V
Life Time	: 50.000 hours
SPD	: 10 kV
Housing	: Die-Cast Aluminium
Weight	: 2940 gram

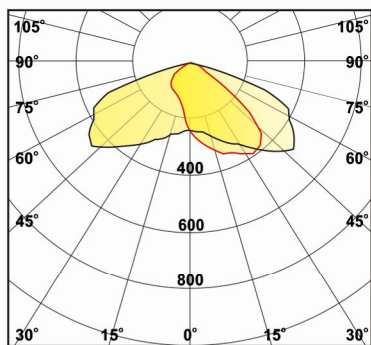
Dimension (mm)



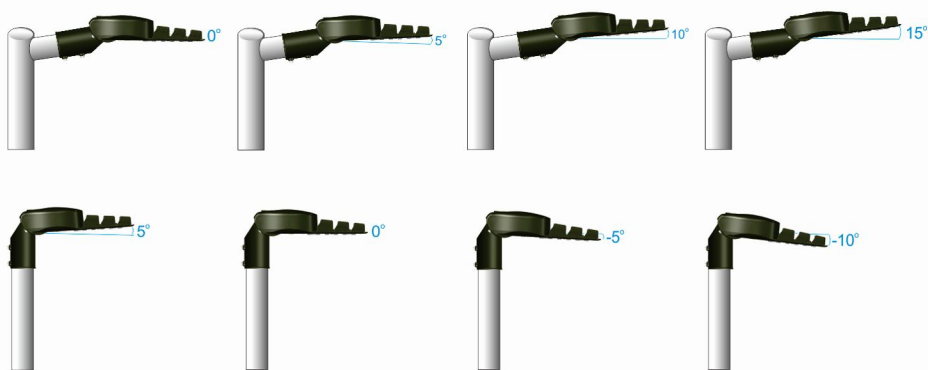
Accessories

Lens : LEDIL STRADA-IP 2x6-T2-B

Light Distribution Curve



Beam Angle



Equipment

Modul	Watt	lm	lm/W	CRI	CCT
SAKA LM G1 NC 2X6	40	4.985	124,7	70	2700 / 3.000 / 4.000 / 5.000 / 6.500 K