

# LED Street Light *SKSTF-22 80W*



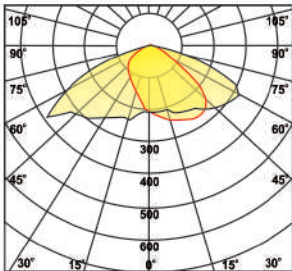
## Product Specification

Type	: SKSTF-22 120 W
Module LED	: SAKA LM G1 C 2X6 (LUMILEDS 5050)
Driver	: Moso
Voltage	: 220 - 240 V
Life Time	: 50.000 hours
SPD	: 10 kV
Housing	: Die-Cast Aluminium With Tempered Glass
Weight	: 7320 gram

## Accessories

Lens : LEDIL VIMIN-2x2-T2

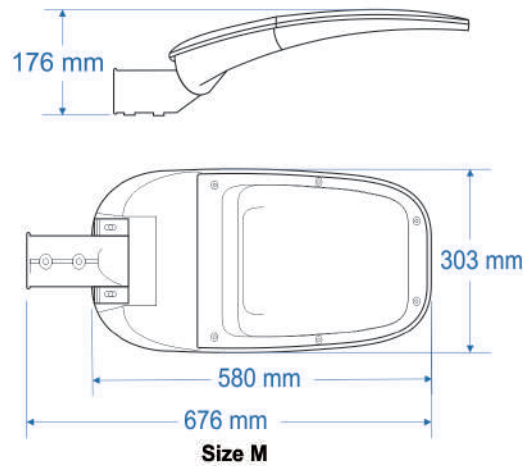
## Light Distribution Curve



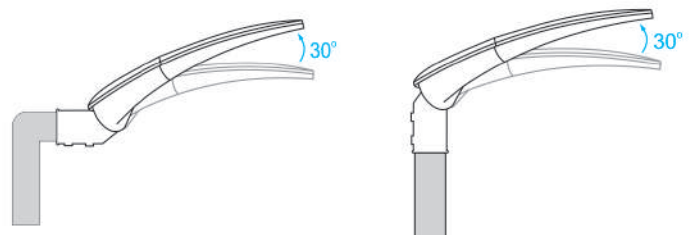
## Benefit:

- Flexible system design
- Easy factory assembly and reliable lifetime performance
- Low cost of thermal management

## Dimension (mm)



## Beam Angle



## Equipment

Modul	Size	Watt	lm	lm/W	CRI	CCT
SAKA LM G1 C 2 X 6	M	120	19.721	164	70	3.000 / 4.000 / 5.000 K