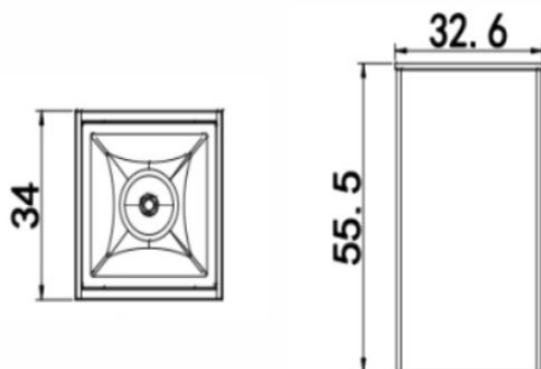


# LED Series - SURFACE DOWNLIGHT

IP 20



## Product Specification

Model	: Star001
Lamp	: OSRAM / Samsung / Cree
Driver	: Remoted
Input Voltage	: 24V
Beam Angel	: 12D / 34D / 48D
Color Temperature	: 3000K, 4000K, 5000K
Material	: Die-casting Aluminium
Colour	: Sand White, Sand Black

Type	Power (W)	CRI (Ra)	Dimension (mm)		
			W	D	H
Star001	1*1	>80	340	326	555